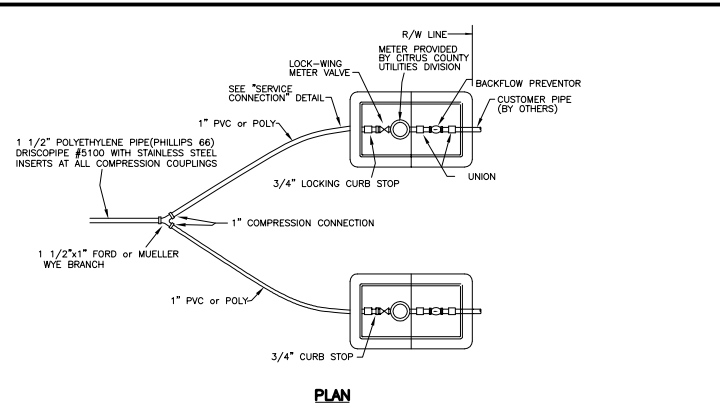


- NOTES:**
- METER BOXES WILL BE SET AT FINISHED GRADE (ALLOWING FOR SOO).
 - THE MINIMUM ELEVATION FROM THE BOTTOM OF THE SIALE TO THE LOW END OF THE METER BOX WILL BE 1 FT.
 - THERE IS TO BE NO STACKING OF METER BOXES. THE SERVICE WILL BE RAISED SO THAT IT FITS INSIDE A SINGLE METER BOX AND NOT BELOW IT.
 - THE BOTTOM OF METERS CANNOT BE SET LOWER THAN THE BOTTOM OF THE METER BOX.
 - MINIMUM 18" COVER OVER WATER LINE SERVICE.
 - IT IS THE RESPONSIBILITY OF THE HOME OWNER TO INSTALL A PRESSURE REGULATOR WITHIN A RECOMMENDED DISTANCE OF 2' OF THE RESIDENCE.
 - THE PRESSURE REGULATOR SHALL BE INSTALLED IN THE SERVICE LINE AFTER ANY CONNECTIONS TO AN IRRIGATION SYSTEM.
 - NO CONNECTIONS OF ANY KIND SHALL BE MADE WITHIN 12" OF THE BACKFLOW DEVICE ON THE CUSTOMER SIDE.
 - THE RPZ (REDUCED PRESSURE BACKFLOW PREVENTION DEVICE) SHOULD BE THE SAME SIZE AS THE METER.
 - THE SERVICE LINE SHOULD BE RUN IN A STRAIGHT LINE AND BE PLACED PERPENDICULAR TO THE WATER MAIN LEADING FROM THE WATER MAIN CONNECTION TO THE SERVICE LOCATION ON THE OWNER'S PROPERTY.

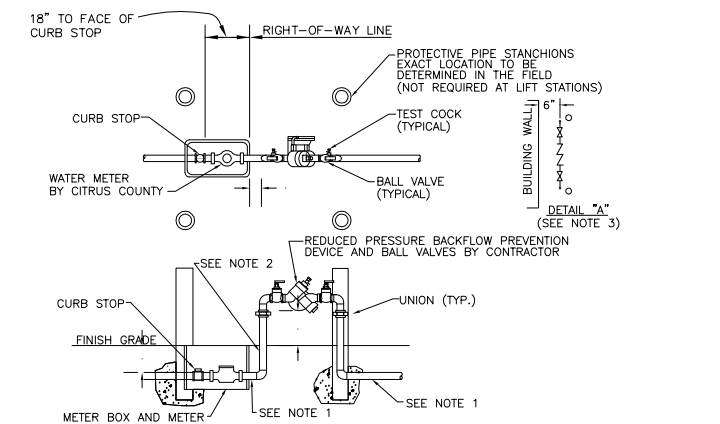
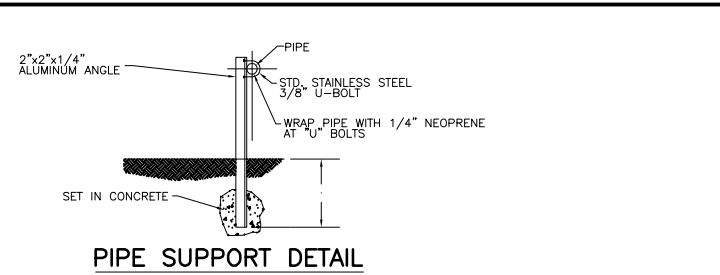
RESIDENTIAL SINGLE SERVICE WATER METER DETAIL
DETAIL No.IV-1
REVISED NOV. 2005



- MATERIAL LIST (DOUBLE SERVICE)**
- TAP TO BE 1 1/2"
 - CORPORATION STOP 1 1/2"
 - POLYETHYLENE PIPE 1 1/2"
 - WYE 1 1/2"x1"x1"
 - SERVICE LINE 1"
 - CURB STOP 1" x 3/4"

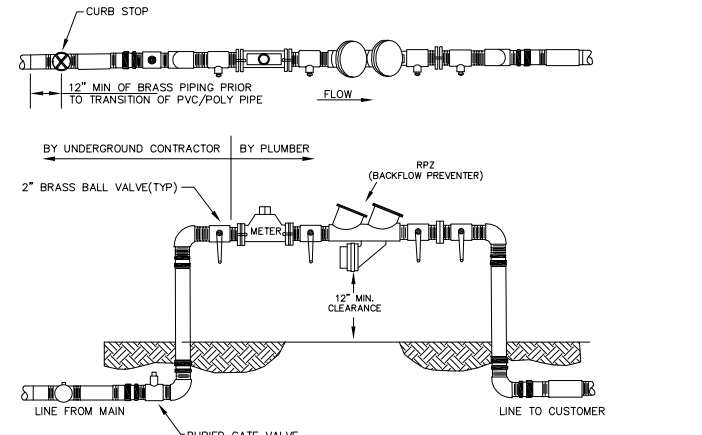
- NOTES:**
- ALL METERS SHALL BE SUPPLIED BY THE COUNTY IN SIZES 3/4"x5/8" THRU AND INCLUDING 2" EXCEPT AS MAY BE OTHERWISE STIPULATED BY THE UTILITIES DIVISION.
 - SINGLE SERVICE LINES SHALL BE A MINIMUM OF 1' FROM THE TAPPING SADDLE TO THE CURB-STOP.
 - DUAL SERVICE LINES SHALL BE A MINIMUM OF 1 1/2' FROM THE TAPPING SADDLE TO THE CURB-STOP.
 - ALL COMMERCIAL/INDUSTRIAL SERVICE LINES SHALL BE A MINIMUM OF 2' FROM THE TAPPING SADDLE TO THE CURB-STOP.
 - METERS SHOWN ON DETAIL No.IV-1 (SINGLE SERVICES) ALSO APPLY TO DOUBLE SERVICES.
 - THE RPZ (REDUCED PRESSURE BACKFLOW PREVENTION DEVICE) SHOULD BE THE SAME SIZE AS THE METER.
 - THE 1 1/2" SERVICE LINE SHOULD BE RUN IN A STRAIGHT LINE AND BE PLACED PERPENDICULAR TO THE WATER MAIN LEADING FROM THE WATER MAIN CONNECTION TO THE SERVICE LINE WYE BRANCH.

RESIDENTIAL DOUBLE SERVICE WATER METER DETAIL
DETAIL No.IV-2
REVISED NOV. 2005



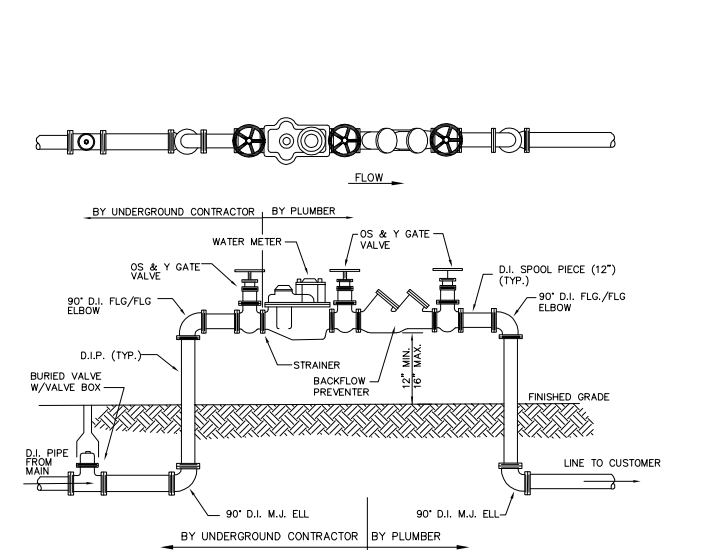
- NOTES:**
- TYPE "K" COPPER TUBING (SOFT DRAWN) OR POLYETHYLENE TUBING SDR 9 COPPER TUBE SIZE.
 - BOTH RISERS SHALL BE TYPE "K" COPPER TUBING (HARD DRAWN) WITH COPPER/BRASS "SWEAT" FITTINGS AND ADAPTERS. ONLY LEAD FREE SOLDER AND FLUX SHALL BE PERMITTED.
 - WHEN THE DEVICE IS INSTALLED PARALLEL TO A BUILDING WALL THERE SHALL BE A MIN. OF 6" BETWEEN THE EDGE OF THE DEVICE AND THE BUILDING WALL.
 - BACKFLOW PREVENTION DEVICES SHALL BE EQUIPPED WITH BALL VALVES IN LIEU OF GATE VALVES.
 - THIS INSTALLATION NOT TO BE USED AT WASTEWATER LIFT STATIONS.
 - THE RPZ (REDUCED PRESSURE BACKFLOW PREVENTION DEVICE) SHOULD BE THE SAME SIZE AS THE METER.

COMMERCIAL METER BACKFLOW DEVICE (3/4" TO 1-1/2")
DETAIL No.IV-3
REVISED NOVEMBER 2005



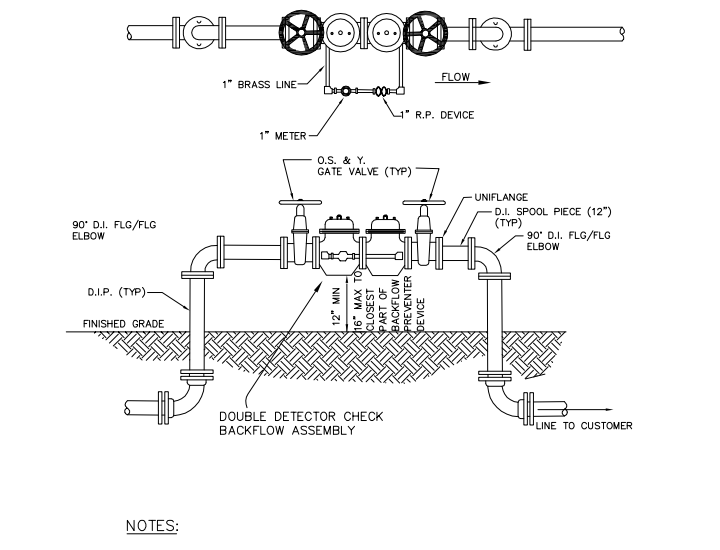
- NOTES:**
- THE RPZ (REDUCED PRESSURE BACKFLOW PREVENTION DEVICE) SHOULD BE THE SAME SIZE AS THE METER.
 - IF CONTINUOUS SERVICE IS REQUIRED DURING MAINTENANCE OF THE EQUIPMENT, THE CONTRACTOR SHALL INSTALL TWO (2) SERVICE CONNECTIONS.

COMMERCIAL 2" METER (ABOVE GROUND)
DETAIL No.IV-4
REVISED NOVEMBER 2005



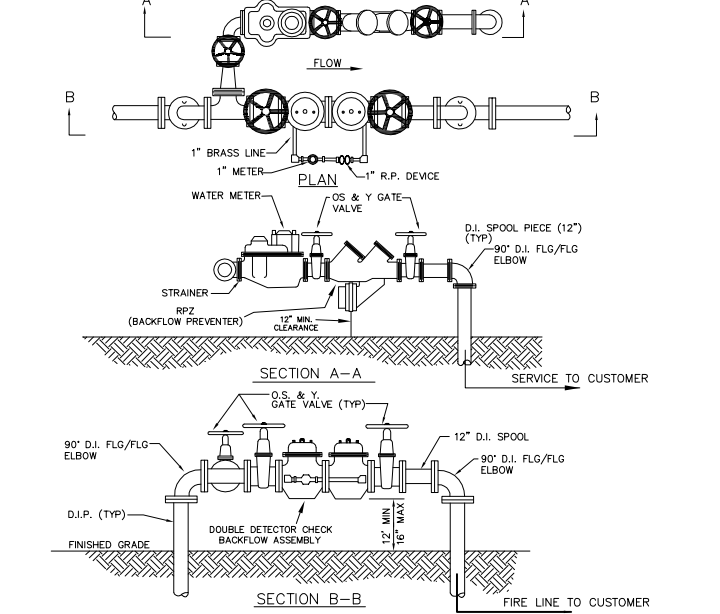
- NOTES:**
- ALL PIPE AND FITTINGS SHALL BE CLASS 53 DUCTILE IRON CEMENT LINED.
 - MECHANICAL JOINT FITTINGS SHALL BE REQUIRED UNDERGROUND AND FLANGED FITTINGS FOR ABOVE GROUND USE. NO UNIFLANGES PERMITTED.
 - SUPPORT PIERS OR PIPE JACKS AS APPROVED. EXACT LOCATION TO BE DETERMINED IN THE FIELD.
 - BACKFLOW PREVENTION DEVICES AND ASSOCIATED VALVES SHALL BE SUPPLIED BY THE CONTRACTOR.
 - EMERGENCY BY-PASS SIZE TO MATCH.
 - IF CONTINUOUS SERVICE IS REQUIRED DURING MAINTENANCE OF THE EQUIPMENT, THE CONTRACTOR SHALL INSTALL TWO (2) SERVICE CONNECTIONS.

3" TO 4" METER BACKFLOW ASSEMBLY
DETAIL No.IV-5
REVISED NOVEMBER 2005



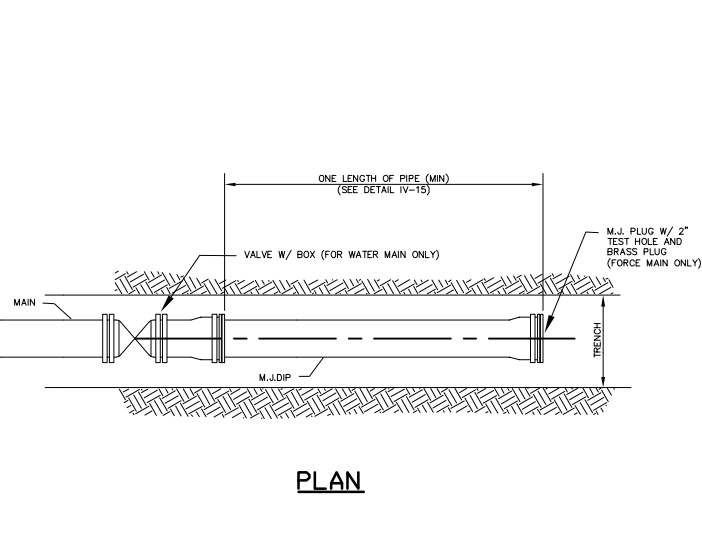
- NOTES:**
- ALL PIPE AND FITTINGS SHALL BE CLASS 53 DUCTILE IRON CEMENT LINED.
 - MECHANICAL JOINT FITTINGS SHALL BE REQUIRED UNDERGROUND AND FLANGED FITTINGS FOR ABOVE GROUND USE. NO UNIFLANGES PERMITTED.
 - SUPPORT PIERS OR PIPE JACKS AS APPROVED. EXACT LOCATION TO BE DETERMINED IN THE FIELD.
 - BACKFLOW PREVENTION DEVICES AND ASSOCIATED VALVES SHALL BE SUPPLIED BY THE CONTRACTOR.
 - THIS INSTALLATION IS FOR FIRE LINE SIZES 3" - 10" FOR LOW HAZARD APPLICATIONS.
 - SHUT OFF VALVES ARE RW TYPE, OS & Y.

FIRE LINE DOUBLE DETECTOR CHECK BACKFLOW ASSEMBLY
DETAIL No.IV-6
REVISED DECEMBER 2004



- NOTES:**
- ALL PIPE AND FITTINGS SHALL BE CLASS 53 DUCTILE IRON CEMENT LINED.
 - MECHANICAL JOINT FITTINGS SHALL BE REQUIRED UNDERGROUND AND FLANGED FITTINGS FOR ABOVE GROUND USE.
 - PAINT THE ENTIRE ABOVE GROUND ASSEMBLY, IN ACCORDANCE WITH THE U.D. STANDARDS. DO NOT PAINT OVER NAME/SERIAL PLATE OR BRASS FITTINGS.
 - SUPPORT PIER OR PIPE JACKS AS APPROVED BY U.D. EXACT LOCATION TO BE DETERMINED IN THE FIELD.
 - THE CONTRACTOR SHALL SUPPLY AND INSTALL THE BY-PASS METER ASSEMBLY.
 - THIS INSTALLATION IS FOR FIRE LINE/SERVICE LINE SIZES 3" - 10" LOW HAZARD APPLICATIONS.
 - SHUT OFF VALVES ARE RW TYPE, OS & Y.

SERVICE & FIRE LINE ASSEMBLY
DETAIL No.IV-7
REVISED NOVEMBER 2005



- NOTES:**
- TERMINAL END SHALL BE MECHANICALLY RESTRAINED. THE NUMBER OF PIPE LENGTHS TO BE RESTRAINED SHALL BE BASED ON THE ENGINEER'S DESIGN AND/OR CITRUS COUNTY U.D. REQUIREMENTS. SEE DETAIL IV-15 FOR LENGTHS OF PIPE TO BE RESTRAINED.
 - BLOW OFF CONNECTION IS REQUIRED ON ALL WATER MAIN TERMINAL ENDS. SEE TERMINAL END BLOWOFF DETAIL.

TERMINAL END DETAIL
DETAIL No.IV-8
REVISED DECEMBER 2004

CITRUS COUNTY DEPARTMENT OF WATER RESOURCES UTILITIES DIVISION

1300 S. LECANTO HWY. LECANTO, FLORIDA 34461 (352) 527-7650

NO.	DATE	REVISION	APP'D. BY
11/05		REVISED DETAILS IV-4 & 5	
07/23/04		ORIGINAL ISSUE DATE	

AUTHORIZED BY: _____

DATE: _____

REGISTERED ENGINEER NO. _____

STATE OF FLORIDA

DATE: _____

TYPICAL DETAILS

SCALE: _____

DATE: _____

PLAN SET: _____

FILE NAME: _____

SEC xx TWP:xx RGE:xx

SHEET DT-6